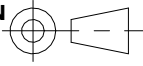


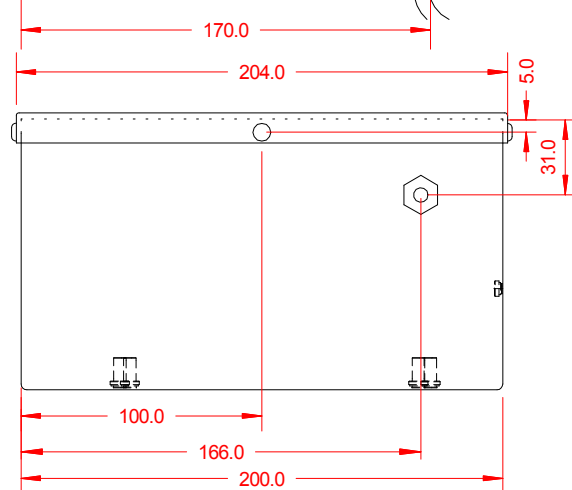
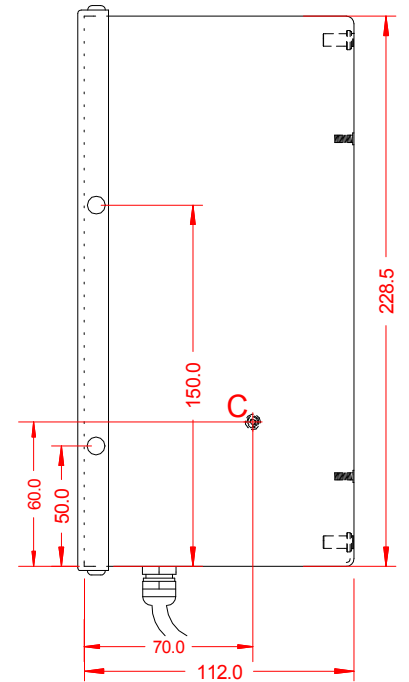
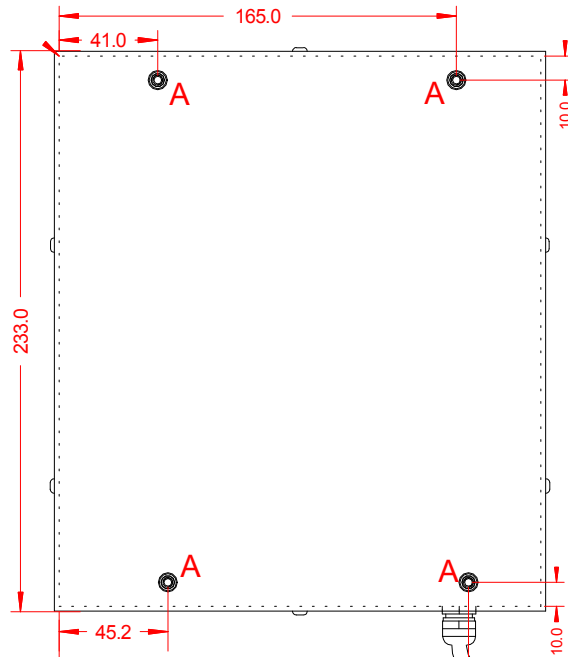
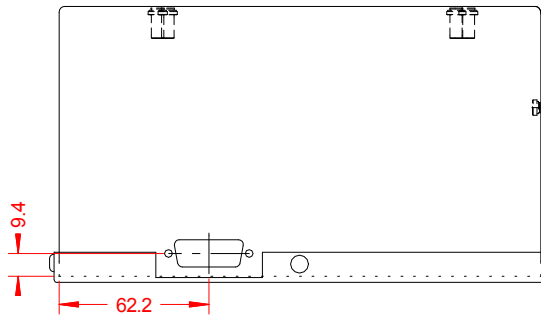
THIRD ANGLE PROJECTION



DO NOT SCALE

REMOVE ALL BURRS AND SHARP EDGES

IF IN DOUBT, ASK



MOUNTING HOLE DATA

A - 4 off - M4 self-clinching blind fasteners

B - 1 off - M3 RTD Sensor Mounting Point

LAST CHANGE

©COPYRIGHT AND CONFIDENTIAL

APPLIED KILOVOLTS LTD 0871 2223638

TITLE **LS015R & LS020R Outline**

Drawn by: JE

Checked by: LM

Date: 8/05/08

Iss A

Drg No: AK70042

MATERIAL	1.6mm Zintec Steel
FINISH	POLYESTER RAL7040 GREY 30% GLOSS
ARTWORK	None

TOLERANCES	
OVERALL DIMENSIONS $\pm 0.5\text{mm}$	
HOLE POSITIONS $\pm 0.2\text{mm}$	